

AN1174

DGD0579U Application Note

The DIODES™ DGD0579U, High-side/Low-side gate driver with Integrated Bootstrap Diode is used to optimally drive the gate of MOSFETs. Below (Figure 1) is an example application using DGD0579U with MOSFETs to make three Half-bridge circuits used to drive a BLDC motor. The DGD0579U is also well-suited to low voltage power supplies due to its high-speed performance. In this document, the important parameters needed to design in the DGD0579U are discussed. Main sections are bootstrap capacitor selection, gate driver component selection, decoupling capacitor discussion, and PCB layout suggestions.

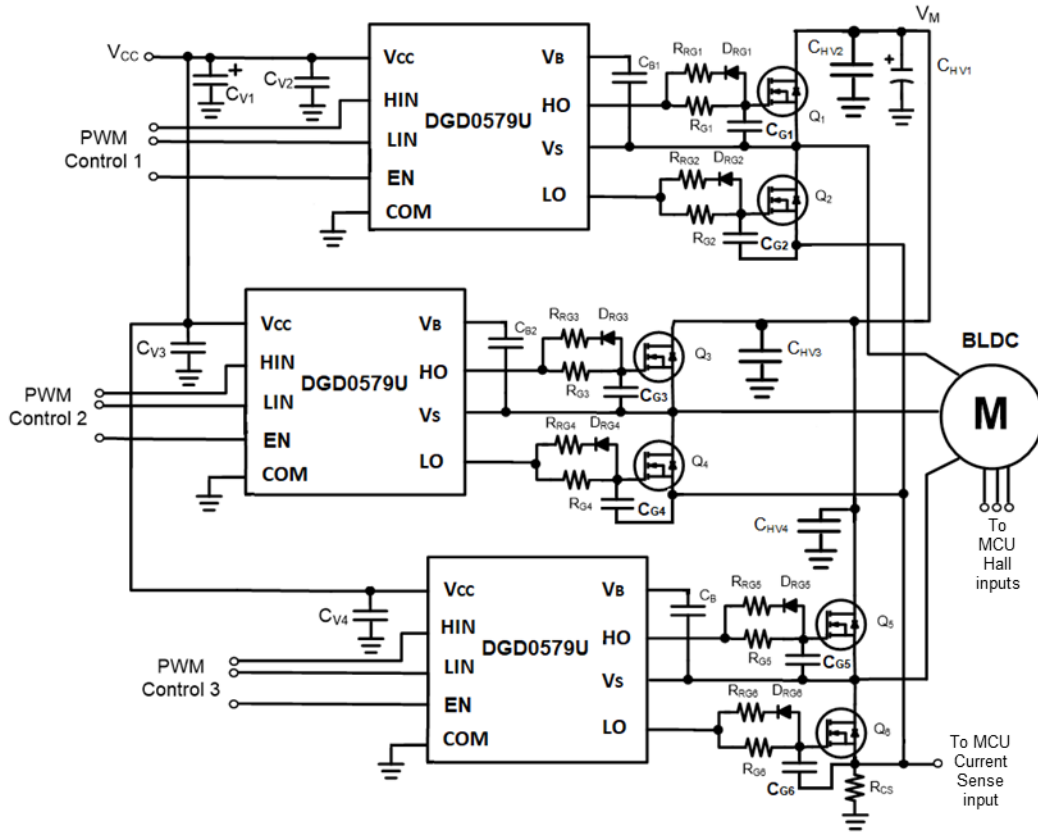


Figure 1. Three Phase Motor Driver application example of DGD0579U

Bootstrap Component Selection

Considering Figure 1, when the low-side MOSFET (Q2, Q4, or Q6) turns on, V_s pulls to GND and the bootstrap capacitor (C_{B1} , C_{B2} , or C_{B3}) is charged. When the high-side MOSFET (Q1, Q3, or Q5) is turned on, V_s swings above V_{CC} and the charge on the bootstrap capacitor (C_B) provides current to drive the IC high-side gate driver. The charge of C_B is provided by V_{CC} through the integrated bootstrap resistor and bootstrap diode, and often the first charge of C_B is at power up will be the largest current through the bootstrap circuit as typically C_B is not fully discharged during each cycle of normal operation.

Bootstrap Capacitor

The initial step in determining the value of the bootstrap capacitor is to determine the minimum voltage drop (ΔV_{BS}) that can be guaranteed when the high-side device is turned on. In other words, the minimum gate-source voltage (V_{GS_min}) must be greater than the UVLO of the high-side circuit, specifically V_{BSUV-} level. Therefore, if V_{GS_min} is the minimum gate-source voltage such that:

$$V_{GS_min} > V_{BSUV-}$$

Then:

$$\Delta V_{BS} = V_{CC} - V_f - V_{GS_min} - V_x$$

Where:

- V_{CC} is the supply voltage to the DGD0579U
- V_f is the voltage drop across the bootstrap diode (D_{BS})
- V_x is the voltage drop across the MOSFET

V_x is calculated as the current seen across low-side MOSFET multiplied by its R_{DS_ON} and is simply V_{CE_ON} at the specific output current if an IGBT were used instead.

In addition to the voltage drops across these components, other factors that cause V_{BS} to drop are leakages, charge required to turn on the power devices, and duration of the high-side on time. The total charge (Q_T) required by the gate driver then equals:

$$Q_T = Q_G + Q_{LS} + [I_{LK_N}] * T_{H_ON}$$

Where:

- Q_G = Gate charge of power device
- Q_{LS} = Level shift charge required per cycle
- T_{H_ON} = High-side on time
- I_{LK_N} = Sum of all leakages that include:
 - I_{GSS}/I_{GES} : Gate-source leakage of the power device
 - I_{LK_DB} : Bootstrap diode leakage
 - I_{LK_IC} : Offset supply leakage of Gate Driver
 - I_{Q_BS} : Quiescent current for high-side supply
 - I_{LK_CB} : Bootstrap capacitor leakage

Bootstrap capacitor leakage (I_{LK_CBS}) only applies to electrolytic types. Therefore, it is best not to use an electrolytic capacitor. Thus, bootstrap capacitor leakages will not be included in the calculations.

Q_{LS} is not listed in the datasheet; for the lower voltage process technology a Q_{LS} of 5nC will be a good approximation and provide a sufficient margin.

From the basic equation, then the minimum bootstrap capacitor is calculated as:

$$C_{B_min} \geq Q_T / \Delta V_{BS}$$

Example using MOSFET, DMN6017SK3

Gate Driver = DGD0579U

- $V_{CC} = 12V$
- $Q_G = 26nC$
- $I_{GSS} = 100nA$
- $T_{H_ON} = 5\mu s$
- $R_{DSON} = 25m\Omega$ max, 125°C
- $I_{out} = 10A$
- $I_{Q_BS} = 100\mu A$

$I_{LK_IC} = 1\mu A$
 $Q_{LS} = 5nC$
 $V_F = 1.0V$
 $I_{LK_DB} = 1\mu A$
 $V_{GSmin} = 6.0V$

From equations:

$$\Delta V_{BS} = 12V - 1.0V - 6.0V - (0.25V) = 4.75V$$

$$Q_T = Q_G + Q_{LS} + (I_{LK_N} * T_{H_ON}) \text{ where } I_{LK_N} * T_{H_ON} = 0.5nC$$

$$= 26nC + 5nC + 0.5nC$$

$$= 31.5nC$$

$$\text{Thus, } C_{BS} \text{ min} = 31.5nC / 4.75V = 6.6nF$$

The bootstrap capacitor calculated in the above example is the minimal value required to supply the needed charge. It is recommended that a margin of 2-3 times the calculated value be used. Utilizing values lower than this could result in overcharging of the bootstrap capacitor especially during $-V_S$ transients.

Typically for high-speed applications like power supplies $C_{BS} = 0.1\mu F$ to $1\mu F$ are used, and for low-speed applications like motor drives $C_{BS} = 1\mu F$ to $2.2\mu F$ are used. It is recommended to use low ESR ceramic capacitors as close to the V_B and V_S pin as possible (see PCB layout suggestions section).

Integrated Bootstrap Diode

The DGD0579U has an integrated bootstrap diode to minimize the system BOM. The data below shows the performance of the integrated diode under DC conditions:

Forward Voltage of Bootstrap Diode	V_{F1}	—	0.6	0.75	V	$I_F = 100\mu A$
Forward Voltage of Bootstrap Diode	V_{F2}	—	1.4	1.75	V	$I_F = 100mA$

The current through the integrated diode is typically the largest during the first charge of C_B . The current waveform, as well as the time to charge C_B is determined by the size of C_B , see Figure 2 & 3.

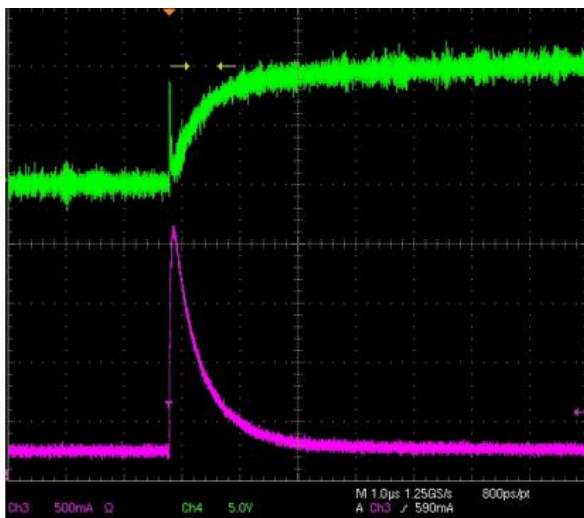


Figure 2. Bootstrap Peak inrush current (Ch3) and VBS (Ch4) with CBS=0.1µF

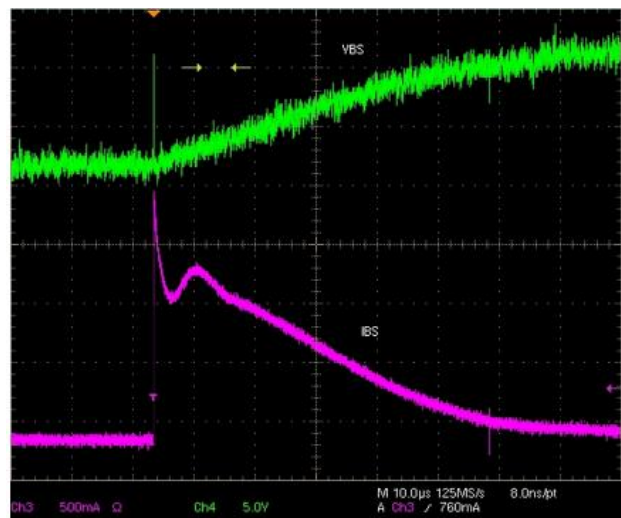


Figure 3. Bootstrap Peak inrush current (Ch3) and VBS (Ch4) with CBS=10µF

Gate Component Selection

The most crucial time in the gate drive is the turn on and turn off of the MOSFET, and performing this function quickly, but with minimal noise and ringing is key. Too fast a rise/fall time can cause unnecessary ringing and poor EMI, and too slow a rise/fall time will increase switching losses in the MOSFET.

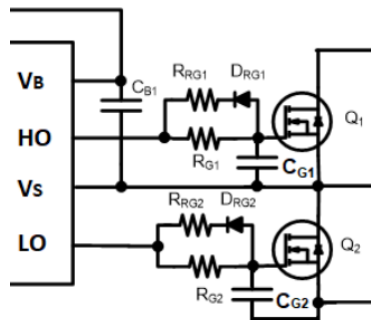


Figure 4. Gate Drive High-Side and Low-Side Components for DGD0579U

Considering the gate driver components for DGD0579U in Figure 4, with the careful selection of R_{Gn} and R_{RGn} , it is possible to selectively control the rise time and fall time of the gate drive to the MOSFET Q_n . For turn on, all current will go from the IC through R_{G1} and charge the MOSFET gate capacitance, hence increasing or decreasing R_{Gn} will increase or decrease rise time in the application. With the addition of D_{RGn} , the fall time can be separately controlled as the turn off current flows from the MOSFET gate capacitor, through R_{RGn} and D_{RGn} to the driver in the IC to VS for high-side and COM for low-side. So, increasing or decreasing R_{RGn} will increase or decrease the fall time. Sometimes finer control is not needed and only R_{G1} and R_{G2} is used.

Increasing turn on and turn off has the effect of limiting ringing and noise due to parasitic inductances, hence with a noisy environment, it may be necessary to increase the gate resistors. Gate component selection is a compromise of faster rise time with more ringing, and a poorer EMI but better efficiency, and a slower rise time with better EMI, better noise performance but poorer efficiency. The exact value depends on the parameters of the application and system requirements. R_{Gn} values are typically between 10Ω and 50Ω , with the optimal value determined by MOSFET gate capacitance and the drive current of the Gate Driver. Gate resistor values are increased to decrease system noise, minimise ringing, and hence lower EMI. R_{RGn} values are typically between 5Ω and 20Ω , with the optimal value determined by MOSFET gate capacitance and the drive current of the Gate Driver. The sink current gate resistor can also be increased to decrease system noise, minimise ringing, and hence lower EMI.

To have equal switching times for high-side and low-side, it is recommended that the gate driver components for high-side and low-side are mirrored. For example $R_{RG1} = R_{RG2}$, $D_{RG1} = D_{RG2}$ and $R_{G1} = R_{G2}$.

The gate to source capacitors, C_{G1} and C_{G2} , are used to minimize unexpected shoot-through in the half-bridge. This shoot-through can decrease efficiency or even damage the MOSFETs; this phenomenon is discussed further on page 6.

Decoupling Capacitor Selection

For optimal operation, Vcc decoupling is crucial for all gate driver ICs. With poor decoupling, larger Vcc transients will occur at the IC when switching, and for greater and longer Vcc drops the IC can go into UVLO.

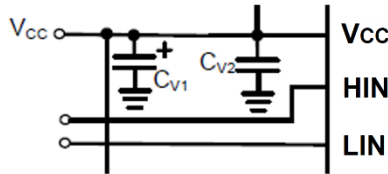


Figure 5. Suggested Vcc decoupling

As shown in Figure 5, two decoupling capacitors are recommended C_{V1} and C_{V2} . C_{V1} can be a larger electrolytic, for example 47 μ F (50V), and is used to dampen low frequency drains on supply: C_{V1} does not need to be right next to the IC, but C_{V2} is used to decouple faster edge changes to Vcc, and should be a low ESR ceramic capacitor placed close to the Vcc pin. This component provides stability when Vcc is quickly pulled down with load from the IC. Typical values for C_{V2} are 0.1 μ F to 1 μ F.

For applications with multiple gate driver ICs (for example BLDC motor drive with 3 x gate drivers as shown in Figure 1), one larger electrolytic (C_{V1}) can be used and the three low ESR ceramic caps (C_{V2} , C_{V3} , C_{V4}) should be used close to the Vcc pin (see Layout section also).

High-Voltage Decoupling Capacitors

Considering the performance of the whole half-bridge, it is important to have appropriate high-voltage decoupling capacitors (see C_{HV1} , C_{HV2} and C_{HV3} in Figure 1). For best stability (best high-frequency performance), C_{HV2} and C_{HV3} are small ceramic capacitors (say 1 μ F 450V) placed close to the drain of the MOSFETs at the half-bridge (less than 25mm); and C_{HV1} is the electrolytic bulk capacitor which is typically part of the on board power supply. If the small decoupling capacitors (C_{HV2} and C_{HV3}) are not used, then for optimal operation, the bulk capacitor (C_{HV1}) should be close to the drain of the MOSFETs (less than 25mm).

Input Resistors

The DGD0579U PWM inputs, HIN and LIN, are very high-impedance inputs with a pull-down resistor on both inputs to COM (see Figure. 6). The pull-down resistor on HIN and LIN has a value of approximately 1.5M Ω .

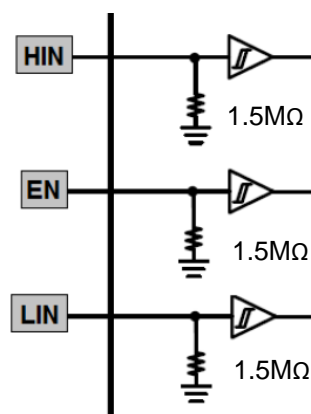


Figure 6. Input Logic for DGD0579U

Matching Gate Driver with MOSFET or IGBT
IC drive current and MOSFET/IGBT gate charge

Gate Driver ICs are defined by their output drive current, and their ability to source current to the gate of the MOSFET/IGBT at turn on and to sink current from the gate of the MOSFET/IGBT at turn off. For the DGD0579U, the drive current is $I_{O+}=1.5A$ typical and $I_{O-}=2.5A$ typical.

For a given MOSFET/IGBT, with the known drive current of the DGD0579U, you can calculate how long it will take to turn on/off the MOSFET/IGBT with the equation:

$$t = Qg/I$$

Qg = total charge of the MOSFET/IGBT as provided by the datasheet

I = sink/source capability of the gate driver IC

t = calculated rise/fall time with the given charge and drive current

For example with the Diodes' DMN6017SK3, 65V 43A, $Qg = 55nC$; and with the DGD0579U $I_{O+}=1.5A$ and $I_{O-}=2.5A$, the $t_r = 37ns$ and $t_f = 22ns$. These are estimates as the total charge given in the datasheet may not be the same conditions in the application. Also, an addition of a gate resistor will increase the t_r and t_f .

Unexpected shoot-through with dV_{DS}/dt

Unwanted MOSFET turn-on, caused by $C_{GD} \times dV_{DS}/dt$ (see Figure 7) is often the cause of unexplained shoot-through in the half-bridge circuit. Depending on the ratio of C_{GS}/C_{GD} , when the dV_{DS}/dt across low-side MOSFET (Q2) occurs (i.e. when high-side MOSFET turns on), there can be a voltage applied to the gate of the Q2 MOSFET, turning on Q2 and causing shoot-through. In effect, a gate bouncing occurs causing a ringing on the VS line and the power ground.

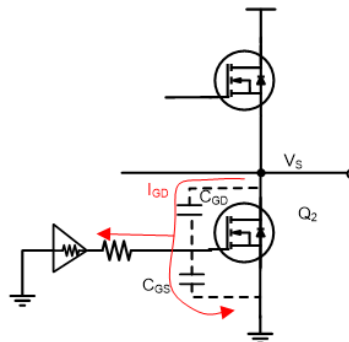


Figure 7. Unexpected shoot through with dV_{DS}/dt

Considering Figure 7,

$$I_{GD} = C_{GD} \times dV_{DS}/dt$$

I_{GD} will flow towards the resistive load (and small inductance due to parasitics) of the gate driver and the C_{GS} of the MOSFET. Hence this unwanted condition may be minimized by looking at the C_{iss}/C_{res} in the MOSFET datasheet (C_{iss}/C_{res} gives an indication of C_{GS}/C_{GD}); having a C_{iss}/C_{res} as large as possible will minimize this phenomenon. Also an external capacitor can be added to the gate-source of the MOSFET (for example 1nF) which will increase C_{GS}/C_{GD} .

Minimum Pulse Requirement

The DGD0579U has RC filters on the input lines to be more resilient in noisy environments. With a rising edge at the input to the gate driver, followed by the propagation delay of the IC, delay from gate resistor, and rise time of the MOSFET, the half-bridge will then turn on producing bus voltage at the output. This MOSFET turn on produces significant system noise. For optimal operation, it is suggested to provide a minimum pulse width at the input to the IC from the MCU to ensure the turn off occurs after this event. As a rule of thumb, this minimum pulse should be 2 x propagation delay for high-side/low-side gate drivers; hence for the DGD0579U, the minimum pulse recommended at the logic inputs is 140ns.

During typical operation, the DGD0579U will respond to an input greater than 40ns (approximate value from the RC input filter response). Hence, for an input pulse greater than 40ns approximately the IC will follow the pulse as expected; and for an input pulse less than 40ns, there will be no response from the IC.

PCB layout suggestions

Layout plays an important role in minimizing unwanted noise coupling, unpredicted glitches, and abnormal operation which can arise from a poor layout of the associated components. Figure 8 shows a schematic with parasitic inductances in the high-current path (L_{P1} , L_{P2} , L_{P3} , L_{P4}), which would be caused by inductance in the metal of the trace. Considering Figure 8, the length of the tracks in red should be minimized, and the bootstrap capacitor (C_B) and the decoupling capacitor (C_D) should be placed as close to the IC as possible in addition to using low ESR ceramic capacitors. And finally, the gate resistors (R_{GH} and R_{GL}) and the sense resistor (R_S) should be surface mount devices. These suggestions will reduce the parasitics due to the PCB traces.

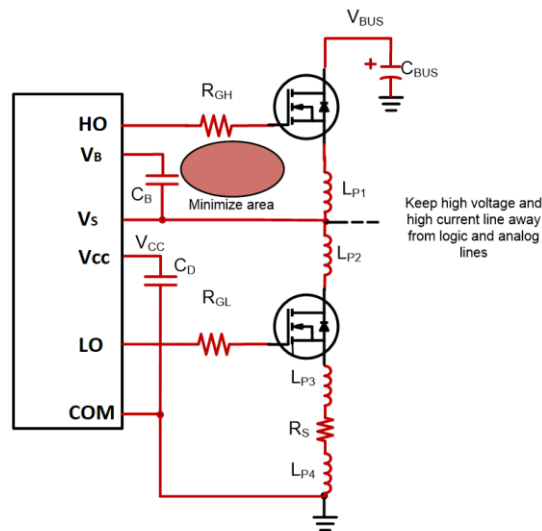


Figure 8. Layout suggestions for DGD0579U in a half-bridge, lines in red should be as short as possible

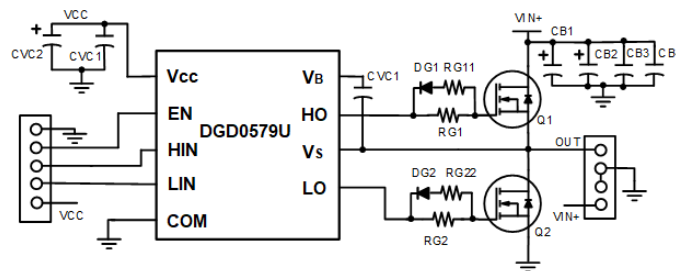


Figure 9. Schematic for layout example in Figure 10

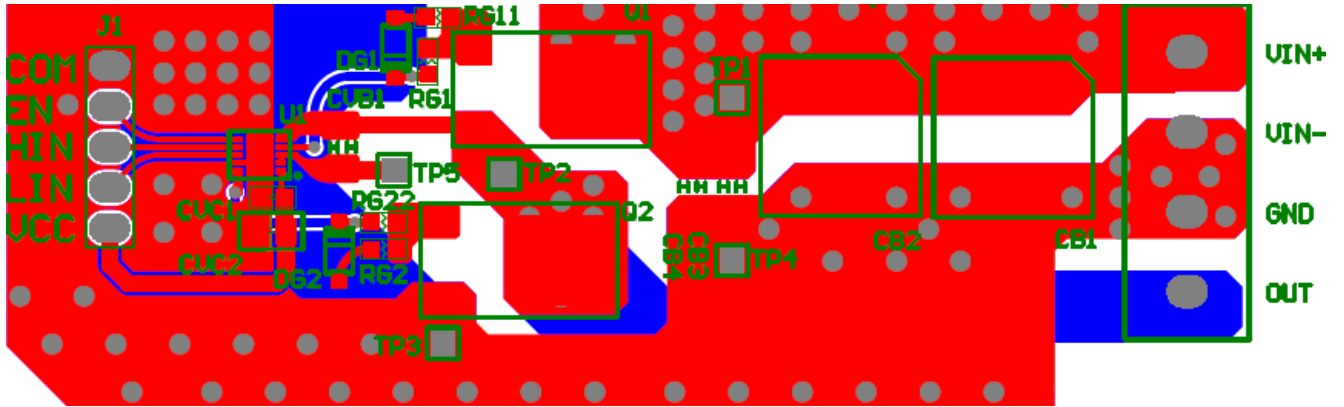


Fig 10. Layout of the schematic shown in Figure 9, DGD0579U in DFN3030-10

IMPORTANT NOTICE

1. DIODES INCORPORATED (Diodes) AND ITS SUBSIDIARIES MAKE NO WARRANTY OF ANY KIND, EXPRESS OR IMPLIED, WITH REGARDS TO ANY INFORMATION CONTAINED IN THIS DOCUMENT, INCLUDING, BUT NOT LIMITED TO, THE IMPLIED WARRANTIES OF MERCHANTABILITY, FITNESS FOR A PARTICULAR PURPOSE OR NON-INFRINGEMENT OF THIRD PARTY INTELLECTUAL PROPERTY RIGHTS (AND THEIR EQUIVALENTS UNDER THE LAWS OF ANY JURISDICTION).
2. The Information contained herein is for informational purpose only and is provided only to illustrate the operation of Diodes' products described herein and application examples. Diodes does not assume any liability arising out of the application or use of this document or any product described herein. This document is intended for skilled and technically trained engineering customers and users who design with Diodes' products. Diodes' products may be used to facilitate safety-related applications; however, in all instances customers and users are responsible for (a) selecting the appropriate Diodes products for their applications, (b) evaluating the suitability of Diodes' products for their intended applications, (c) ensuring their applications, which incorporate Diodes' products, comply the applicable legal and regulatory requirements as well as safety and functional-safety related standards, and (d) ensuring they design with appropriate safeguards (including testing, validation, quality control techniques, redundancy, malfunction prevention, and appropriate treatment for aging degradation) to minimize the risks associated with their applications.
3. Diodes assumes no liability for any application-related information, support, assistance or feedback that may be provided by Diodes from time to time. Any customer or user of this document or products described herein will assume all risks and liabilities associated with such use, and will hold Diodes and all companies whose products are represented herein or on Diodes' websites, harmless against all damages and liabilities.
4. Products described herein may be covered by one or more United States, international or foreign patents and pending patent applications. Product names and markings noted herein may also be covered by one or more United States, international or foreign trademarks and trademark applications. Diodes does not convey any license under any of its intellectual property rights or the rights of any third parties (including third parties whose products and services may be described in this document or on Diodes' website) under this document.
5. Diodes' products are provided subject to Diodes' Standard Terms and Conditions of Sale (<https://www.diodes.com/about/company/terms-and-conditions/terms-and-conditions-of-sales/>) or other applicable terms. This document does not alter or expand the applicable warranties provided by Diodes. Diodes does not warrant or accept any liability whatsoever in respect of any products purchased through unauthorized sales channel.
6. Diodes' products and technology may not be used for or incorporated into any products or systems whose manufacture, use or sale is prohibited under any applicable laws and regulations. Should customers or users use Diodes' products in contravention of any applicable laws or regulations, or for any unintended or unauthorized application, customers and users will (a) be solely responsible for any damages, losses or penalties arising in connection therewith or as a result thereof, and (b) indemnify and hold Diodes and its representatives and agents harmless against any and all claims, damages, expenses, and attorney fees arising out of, directly or indirectly, any claim relating to any noncompliance with the applicable laws and regulations, as well as any unintended or unauthorized application.
7. While efforts have been made to ensure the information contained in this document is accurate, complete and current, it may contain technical inaccuracies, omissions and typographical errors. Diodes does not warrant that information contained in this document is error-free and Diodes is under no obligation to update or otherwise correct this information. Notwithstanding the foregoing, Diodes reserves the right to make modifications, enhancements, improvements, corrections or other changes without further notice to this document and any product described herein. This document is written in English but may be translated into multiple languages for reference. Only the English version of this document is the final and determinative format released by Diodes.
8. Any unauthorized copying, modification, distribution, transmission, display or other use of this document (or any portion hereof) is prohibited. Diodes assumes no responsibility for any losses incurred by the customers or users or any third parties arising from any such unauthorized use.
9. This Notice may be periodically updated with the most recent version available at <https://www.diodes.com/about/company/terms-and-conditions/important-notice>

DIODES is a trademark of Diodes Incorporated in the United States and other countries.

The Diodes logo is a registered trademark of Diodes Incorporated in the United States and other countries.

© 2022 Diodes Incorporated. All Rights Reserved.

www.diodes.com