

# DN1157

## Electronic Cigarette (eCig) Design Note

### Background

The electronic cigarette (eCig) industry has grown dramatically over the last few years and the growth is expected to continue. Higher power eCigs require voltage and current control from an MCU and power switching using MOSFETs and gate drivers. In an eCig driver, the voltage may need to be stepped up (boost) or stepped down (buck). Figure 1 shows a typical boost arrangement that may be used in an eCig. When step up is needed, the MCU applies PWM to the boost circuit (Figure 1, to IN of the DGD2104A) and the output voltage (to buck) is higher than the battery voltage. When step down is needed, the Q1 is on 100% duty cycle providing the battery voltage to the buck (not shown) and the MCU provides PWM to the buck.

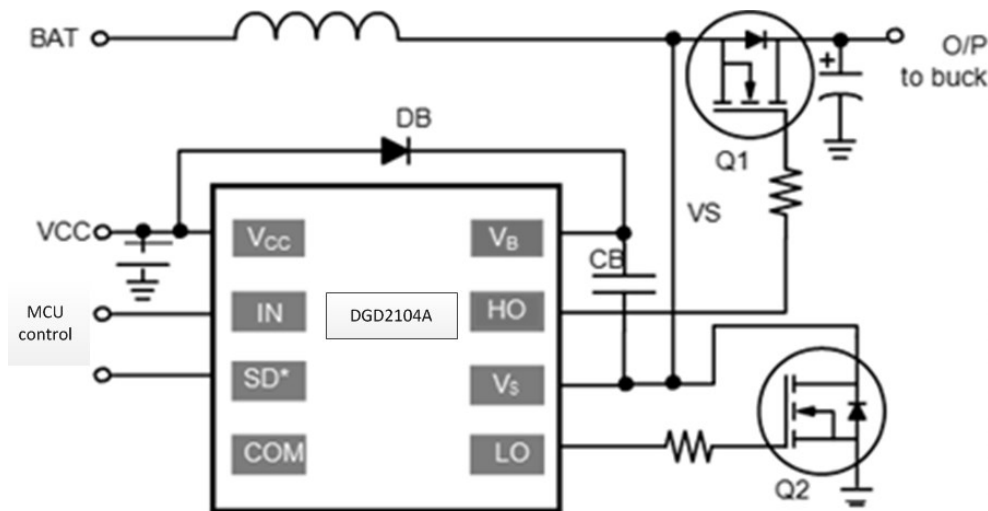


Figure 1: Typical Boost Schematic for eCig Driver

### Gate Driver Performance and UVLO

Figure 1 shows a typical synchronous boost arrangement that could be used in an eCig application. Considering Figure 1, when Q1 is on at 100% duty cycle,  $V_S$  is at battery voltage; the Li-ion battery in an eCig is 3.7V typical (min of 3.2V and max 4.2V). That means  $V_S = 3.7V$  typically when the Q1 is on in the 100% duty cycle state (and even at start up).  $V_{BS}$  is the supply for the high side driver for DGD2104A (Figure 1). To improve the safety of the full system during a fault condition or unexpected power down, many Diode's Gate Driver ICs have  $V_{BS}$  UVLO (Under Voltage Lock Out). The DGD2104A has a  $V_{BS}$  UVLO+ (positive going threshold) of 8.9V typical and a  $V_{BS}$  UVLO- (negative going threshold) of 8.2V typical.

### Increasing Vcc

In the 100% duty state,  $V_{BS}$  is supplied by  $V_{CC}$  through the bootstrap diode (DB) or a MOSFET. Hence to function in this type of circuit,  $V_{CC}$  must be at a level to maintain the optimal supply conditions for the high side. The suggested value of  $V_{CC}$  can be calculated as follows:

$$V_{CC} = (V_{BS} \text{ UVLO+}) + (VD) + (BAT \text{ (max)})$$

Where VD is the voltage drop of the bootstrap diode, and BAT (max) is maximum value of the Li-ion battery.

As an example, considering the  $V_{BS\ UVLO+} = 8.9V$  of the DGD2104A, and  $BAT\ (max) = 4.2V$  and  $VD = 0.6V$ , you would require a  $V_{CC} = 13.7V$ . Hence for eCig applications, with requirements like those above, we recommend a  $V_{CC} = 14V$ . If a Schottky diode or a MOSFET are used in the  $V_{CC}$  bootstrap line, then there would be a smaller voltage drop, and a lower  $V_{CC}$  could be used in the application. Best selection of  $V_{CC}$  will be determined by the application and part selection.

#### IMPORTANT NOTICE

DIODES INCORPORATED MAKES NO WARRANTY OF ANY KIND, EXPRESS OR IMPLIED, WITH REGARDS TO THIS DOCUMENT, INCLUDING, BUT NOT LIMITED TO, THE IMPLIED WARRANTIES OF MERCHANTABILITY AND FITNESS FOR A PARTICULAR PURPOSE (AND THEIR EQUIVALENTS UNDER THE LAWS OF ANY JURISDICTION).

Diodes Incorporated and its subsidiaries reserve the right to make modifications, enhancements, improvements, corrections or other changes without further notice to this document and any product described herein. Diodes Incorporated does not assume any liability arising out of the application or use of this document or any product described herein; neither does Diodes Incorporated convey any license under its patent or trademark rights, nor the rights of others. Any Customer or user of this document or products described herein in such applications shall assume all risks of such use and will agree to hold Diodes Incorporated and all the companies whose products are represented on Diodes Incorporated website, harmless against all damages.

Diodes Incorporated does not warrant or accept any liability whatsoever in respect of any products purchased through unauthorized sales channel.

Should Customers purchase or use Diodes Incorporated products for any unintended or unauthorized application, Customers shall indemnify and hold Diodes Incorporated and its representatives harmless against all claims, damages, expenses, and attorney fees arising out of, directly or indirectly, any claim of personal injury or death associated with such unintended or unauthorized application.

Products described herein may be covered by one or more United States, international or foreign patents pending. Product names and markings noted herein may also be covered by one or more United States, international or foreign trademarks.

This document is written in English but may be translated into multiple languages for reference. Only the English version of this document is the final and determinative format released by Diodes Incorporated.

#### LIFE SUPPORT

Diodes Incorporated products are specifically not authorized for use as critical components in life support devices or systems without the express written approval of the Chief Executive Officer of Diodes Incorporated. As used herein:

A. Life support devices or systems are devices or systems which:

1. are intended to implant into the body, or
2. support or sustain life and whose failure to perform when properly used in accordance with instructions for use provided in the labeling can be reasonably expected to result in significant injury to the user.

B. A critical component is any component in a life support device or system whose failure to perform can be reasonably expected to cause the failure of the life support device or to affect its safety or effectiveness.

Customers represent that they have all necessary expertise in the safety and regulatory ramifications of their life support devices or systems, and acknowledge and agree that they are solely responsible for all legal, regulatory and safety-related requirements concerning their products and any use of Diodes Incorporated products in such safety-critical, life support devices or systems, notwithstanding any devices- or systems-related information or support that may be provided by Diodes Incorporated. Further, Customers must fully indemnify Diodes Incorporated and its representatives against any damages arising out of the use of Diodes Incorporated products in such safety-critical, life support devices or systems.

Copyright © 2016, Diodes Incorporated

[www.diodes.com](http://www.diodes.com)