

## General Description

The AP3032 is an inductor-based DC/DC boost converter designed to drive up to 4 rows of LEDs with 7 series for each in parallel for backlight.

A constant frequency 1MHz PWM control scheme is employed in this IC, which means tiny external components can be used. Specifically, 1mm tall 6.8 H inductor and 1μF aluminum output capacitor for the typical application is sufficient.

The over output voltage protection is equipped in AP3032, which protects the IC under open load condition. The AP3032 includes UVLO, soft-start, stand-by mode, current limiting and OTSD to protect the circuit under over load condition

The AP3032 is available in SOT-23-6 package.

## Applications

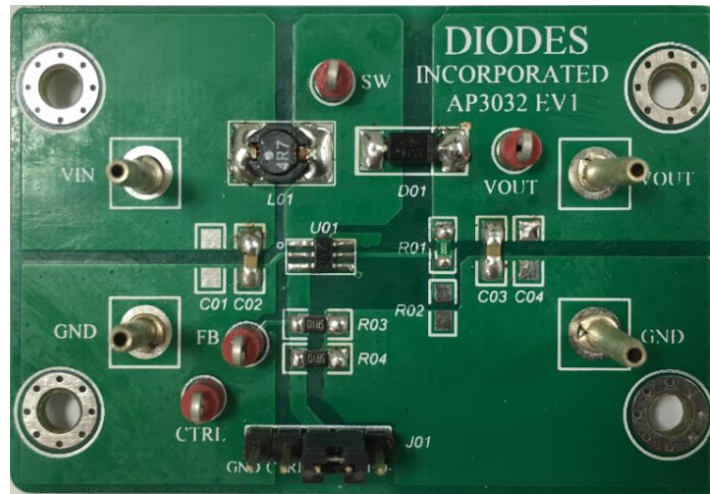
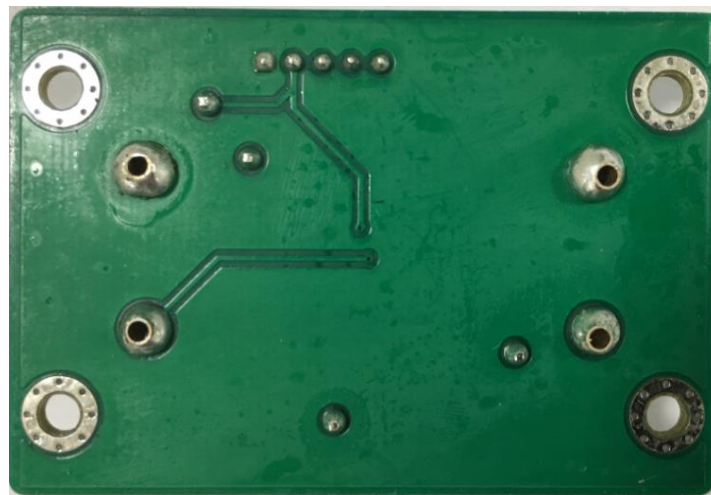
- 7' to 10' LCD Panels
- Digital Photo Frame
- GPS Receiver

## Key Features

- Efficiency Up to 81% (VIN=5V, IOU=80mA)
- Drives up to 4 Rows of WLEDs with 7 Series for Each in Parallel (VIN=5V)
- Fast 1MHz Switching Frequency
- Wide Input Voltage Range: 2.7V to 9V
- Low Feedback Voltage: 200mV
- Output Over Voltage Protection
- Cycle by Cycle Current Limit: 1.4A
- Built-in Soft-start
- Built-in Standby Mode to Achieve High Frequency PWM Dimming
- Built-in Thermal Shutdown Function
- Under Voltage Lockout

## AP3032EV1 Specifications

Parameter	Value
Input Voltage	5VDC Typ.
LED Current	80mA
Number of LEDs	7S4P: 7LEDs in series per string, 4strings in parallel
XY Dimension	62.5mm x 43mm

**Figure 1: Top View****Figure 2: Bottom View**

## Connection Instructions

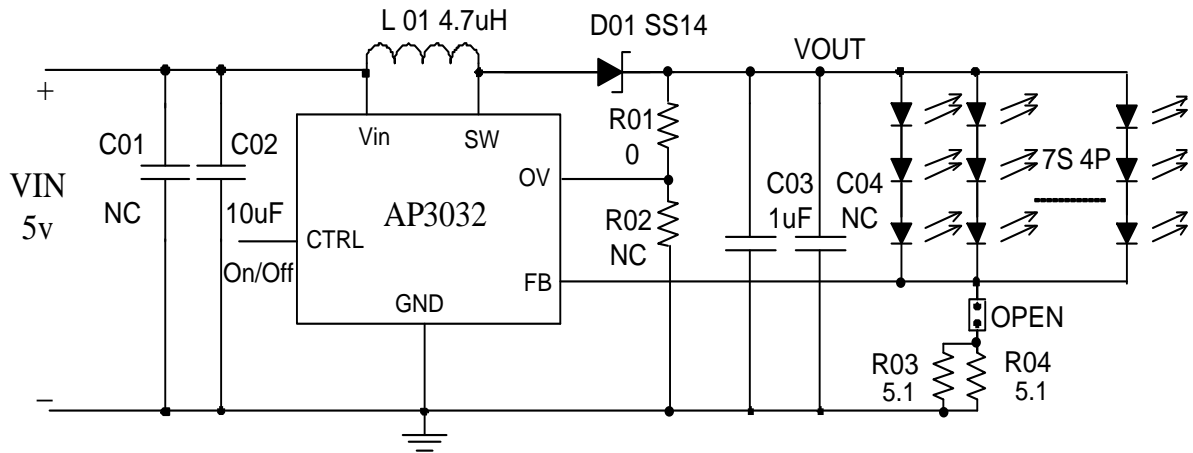
Power Supply Input: 5V<sub>DC</sub> (VIN, GND)

CTRL Signal Input: 5V<sub>DC</sub> (CTRL, GND)

PWM Signal Input: apply PWM signal to CTRL (CTRL, GND)

LED Outputs: connect LED anode to VOUT, connect LED cathode to LED-

**Evaluation Board Schematic**



**Figure 3: Evaluation Board Schematic**

## Evaluation Board Layout

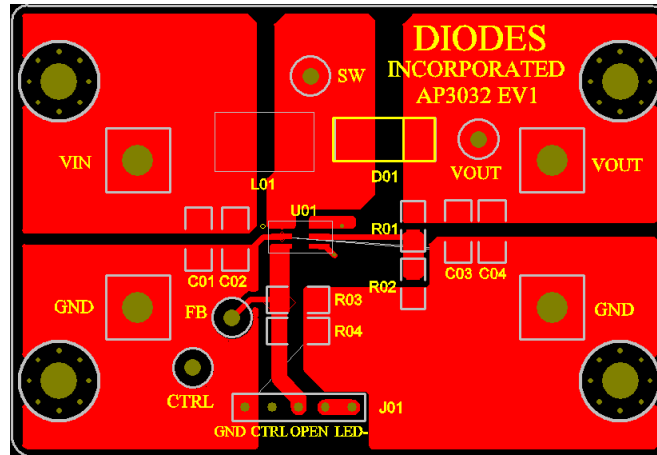


Figure 4: PCB Board Layout Top View

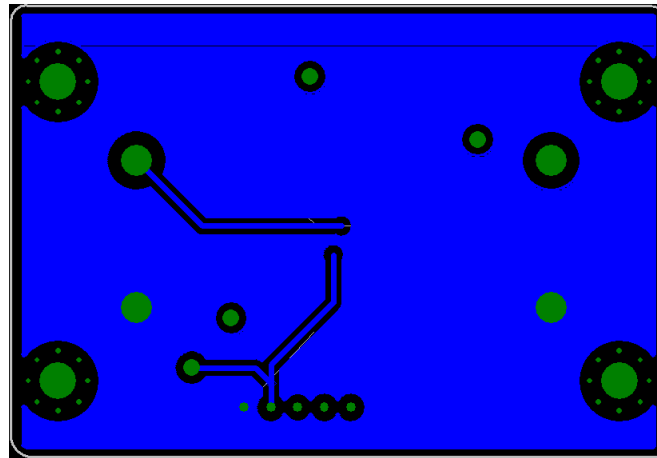


Figure 5: PCB Board Layout Bottom View

## Quick Start Guide

1. By default, the evaluation board is preset at 80mA LED Current by R03 and R04..
2. Power Supply: Apply 5V<sub>DC</sub> to Vin & GND pin .
3. Enable the IC: Apply 5V<sub>DC</sub> to CTRL & GND pin to enable the circuit.
4. PWM Dimming: Apply a PWM signal to CTRL & GND pin to dim the LEDs.
5. LED string should light up after 2~4 steps.

## Bill of Material

#	Name	Quantity	Package	Description
1	U01	1	SOT-23-6	AP3032
2	L01	1	SMD	4.7uH, TDK
3	D01	1	DO-214AC	SS14
4	C02	1	1206	10uF/25V, Ceramic X7R
5	C03	1	1206	1uF/50V, Ceramic X7R
6	R01	1	0805	0 ohm/ 1% Precision
7	R03	1	1206	5.1 ohm / 1% Precision
8	R04	1	1206	5.1 ohm / 1% Precision

## Functional Data Curves

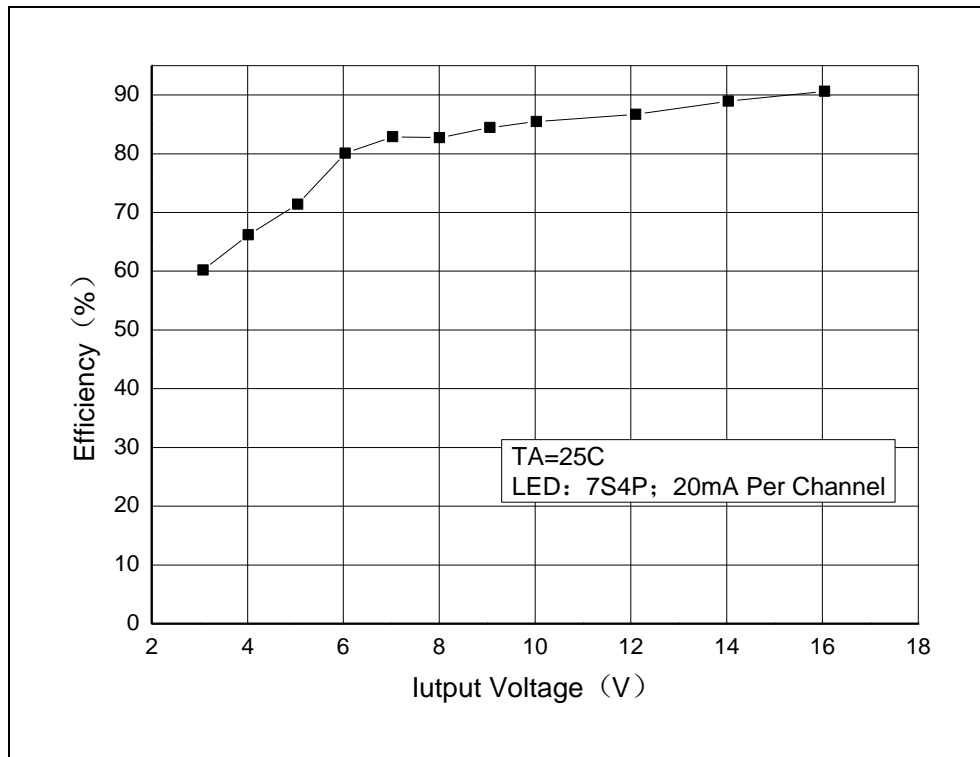


Figure 6. Efficiency vs. Input Voltage

## IMPORTANT NOTICE

DIODES INCORPORATED MAKES NO WARRANTY OF ANY KIND, EXPRESS OR IMPLIED, WITH REGARDS TO THIS DOCUMENT, INCLUDING, BUT NOT LIMITED TO, THE IMPLIED WARRANTIES OF MERCHANTABILITY AND FITNESS FOR A PARTICULAR PURPOSE (AND THEIR EQUIVALENTS UNDER THE LAWS OF ANY JURISDICTION).

Diodes Incorporated and its subsidiaries reserve the right to make modifications, enhancements, improvements, corrections or other changes without further notice to this document and any product described herein. Diodes Incorporated does not assume any liability arising out of the application or use of this document or any product described herein; neither does Diodes Incorporated convey any license under its patent or trademark rights, nor the rights of others. Any Customer or user of this document or products described herein in such applications shall assume all risks of such use and will agree to hold Diodes Incorporated and all the companies whose products are represented on Diodes Incorporated website, harmless against all damages.

Diodes Incorporated does not warrant or accept any liability whatsoever in respect of any products purchased through unauthorized sales channel.

Should Customers purchase or use Diodes Incorporated products for any unintended or unauthorized application, Customers shall indemnify and hold Diodes Incorporated and its representatives harmless against all claims, damages, expenses, and attorney fees arising out of, directly or indirectly, any claim of personal injury or death associated with such unintended or unauthorized application.

Products described herein may be covered by one or more United States, international or foreign patents pending. Product names and markings noted herein may also be covered by one or more United States, international or foreign trademarks.

## LIFE SUPPORT

Diodes Incorporated products are specifically not authorized for use as critical components in life support devices or systems without the express written approval of the Chief Executive Officer of Diodes Incorporated. As used herein:

A. Life support devices or systems are devices or systems which:

1. are intended to implant into the body, or
2. support or sustain life and whose failure to perform when properly used in accordance with instructions for use provided in the labeling can be reasonably expected to result in significant injury to the user.

B. A critical component is any component in a life support device or system whose failure to perform can be reasonably expected to cause the failure of the life support device or to affect its safety or effectiveness.

Customers represent that they have all necessary expertise in the safety and regulatory ramifications of their life support devices or systems, and acknowledge and agree that they are solely responsible for all legal, regulatory and safety-related requirements concerning their products and any use of Diodes Incorporated products in such safety-critical, life support devices or systems, notwithstanding any devices- or systems-related information or support that may be provided by Diodes Incorporated. Further, Customers must fully indemnify Diodes Incorporated and its representatives against any damages arising out of the use of Diodes Incorporated products in such safety-critical, life support devices or systems.

Copyright © 2013, Diodes Incorporated

[www.diodes.com](http://www.diodes.com)