

### DESCRIPTION

The AP63357Q is an automotive-compliant, 3.5A, synchronous buck converter with a wide input voltage range of 3.8V to 32V and fully integrates a 74mΩ high-side power MOSFET and a 40mΩ low-side power MOSFET to provide high-efficiency step-down DC-DC conversion.

The AP63357Q device is easily used by minimizing the external component count due to its adoption of peak current mode control along with the integrated compensation network.

The AP63357Q is optimized for Electromagnetic Interference (EMI) reduction. The device has a proprietary gate driver scheme to resist switching node ringing without sacrificing MOSFET turn-on and turn-off times, which reduces high-frequency radiated EMI noise caused by MOSFET switching. AP63357Q also features Frequency Spread Spectrum (FSS) with a switching frequency jitter of  $\pm 6\%$ , which reduces EMI by not allowing emitted energy to stay in any one frequency for a significant period of time.

The device is available in a 3mm × 2mm, V-DFN3020-13/SWP (Type A1), package with wettable flanks.

### FEATURES

- AEC-Q100 Qualified with the Following Results
  - Device Temperature Grade 1: -40C to 125C T<sub>A</sub> Range
  - Device HBM ESD Classification Level H1C
  - Device CDM ESD Classification Level C3B
- VIN 3.8V to 32V
- 3.5A Continuous Output Current
- 0.8V  $\pm$  1% Reference Voltage
- 22μA Ultralow Quiescent Current (Pulse Frequency Modulation)
- 450kHz Switching Frequency
- Supports Pulse Frequency Modulation (PFM)
  - Up to 80% Efficiency at 1mA Light Load
  - Up to 87% Efficiency at 5mA Light Load
- Proprietary Gate Driver Design for Best EMI Reduction
- Frequency Spread Spectrum (FSS) to Reduce EMI
- Low-Dropout (LDO) Mode
- Power Good Indicator with 5MΩ Internal Pull-up
- Precision Enable Threshold to Adjust UVLO
- Protection Circuitry
  - Undervoltage Lockout (UVLO)
  - Output Overvoltage Protection (OVP)
  - Output Undervoltage Protection (UVP)
  - Cycle-by-Cycle Peak Current Limit
  - Thermal Shutdown
- Totally Lead-Free & Fully RoHS Compliant
- Halogen and Antimony Free. “Green” Device

## APPLICATIONS

- 12V Automotive Power Systems
- Automotive Infotainment
- Automotive Instrument Clusters
- Automotive Body Electronics and Lighting
- Automotive Telematics
- Advanced Driver Assistance Systems

## FUNCTIONAL BLOCK

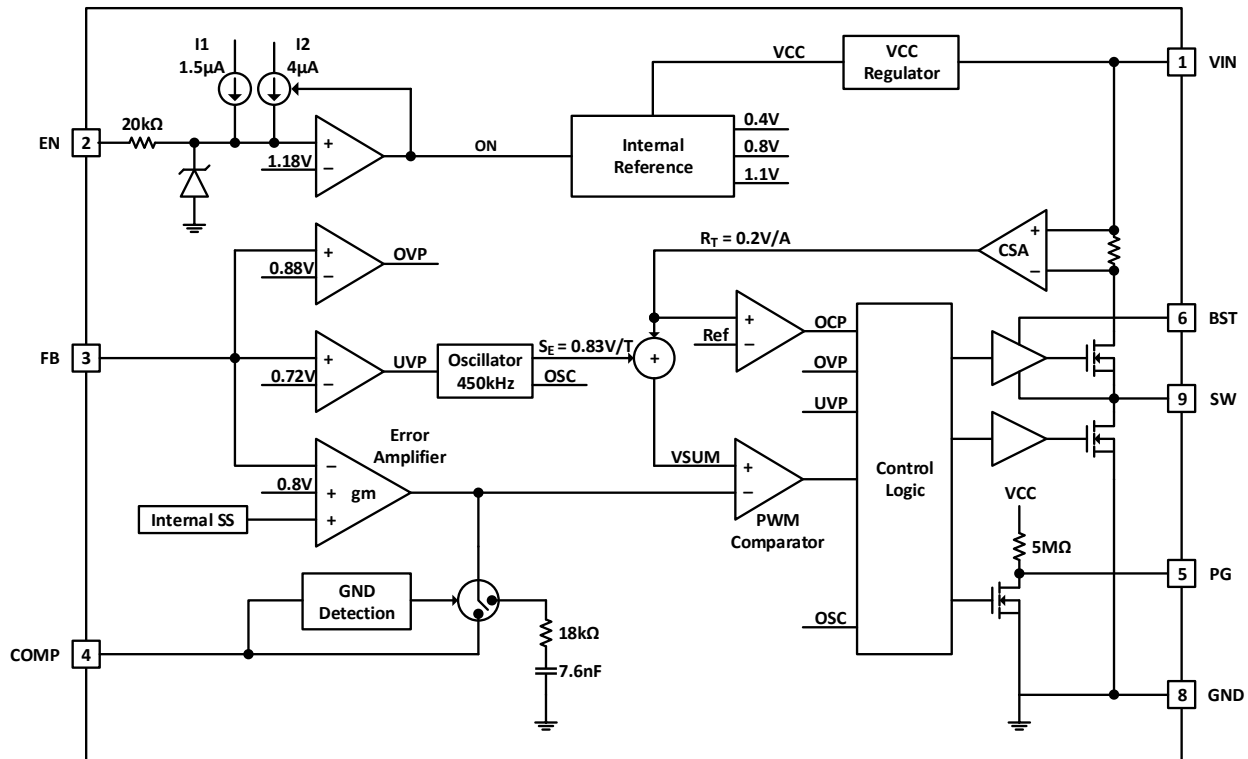


Figure 1. Functional Block Diagram

## ABSOLUTE MAXIMUM RATINGS

Symbol	Parameter	Rating	Unit
VIN	Supply Pin Voltage	-0.3 to +35.0 (DC)	V
		-0.3 to +40.0 (400ms)	
V <sub>EN</sub>	Enable/UVLO Pin Voltage	-0.3 to +35.0	V
V <sub>FB</sub>	Feedback Pin Voltage	-0.3 to +6.0	V
V <sub>COMP</sub>	Compensation Pin Voltage	-0.3 to +6.0	V
V <sub>PG</sub>	Power-Good Pin Voltage	-0.3 to +6.0	V
V <sub>BST</sub>	Bootstrap Pin Voltage	V <sub>SW</sub> - 0.3 to V <sub>SW</sub> + 6.0	V
V <sub>SW</sub>	Switch Pin Voltage	-1.0 to VIN + 0.3 (DC)	V
		-2.5 to VIN + 2.0 (20ns)	
T <sub>ST</sub>	Storage Temperature	-65 to +150	°C
T <sub>J</sub>	Junction Temperature	+170	°C
T <sub>L</sub>	Lead Temperature	+260	°C
<b>ESD Susceptibility</b>			
HBM	Human Body Mode	2000	V
CDM	Charge Device Model	1000	V

## RECOMMENDED OPERATING CONDITIONS

Symbol	Parameter	Min	Max	Unit
VIN	Supply Voltage	3.8	32	V
VOUT	Output Voltage	0.8	32	V
T <sub>A</sub>	Operating Ambient Temperature Range	-40	+125	°C
T <sub>J</sub>	Operating Junction Temperature Range	-40	+150	°C

## EVALUATION BOARD

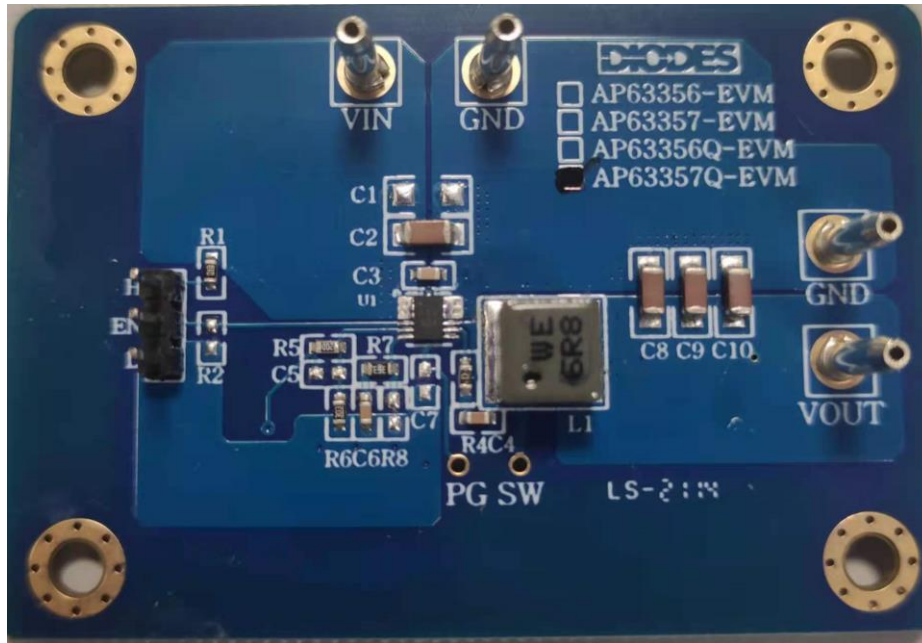


Figure 2. Top Picture of AP63357QZV-EVM Board

## QUICK START GUIDE

The AP63357QZV-EVM has a simple layout and allows access to the appropriate signals through test points. To evaluate the performance of the AP63357Q, follow the procedure below:

1. For evaluation board configured at  $V_{OUT}=5V$ , connect a power supply to the input terminals VIN and GND. Set VIN to 12V.
2. Connect the positive terminal of the electronic load to VOUT and negative terminal to GND.
3. For Enable, place a jumper to "H" position to enable IC. Jump to "L" position to disable IC.
4. The evaluation board should now power up with a 5V output voltage.
5. Check for the proper output voltage of 5V ( $\pm 1\%$ ) at the output terminals VOUT and GND. Measurement can also be done with a multimeter with the positive and negative leads between VOUT and GND.
6. Set the load to 3.5A through the electronic load. Check for the stable operation of the SW signal on the oscilloscope. Measure the switching frequency.

## MEASUREMENT/PERFORMANCE GUIDELINES:

- 1) When measuring the output voltage ripple, maintain the shortest possible ground lengths on the oscilloscope probe. Long ground leads can erroneously inject high frequency noise into the measured ripple.
- 2) For efficiency measurements, connect an ammeter in series with the input supply to measure the input current. Connect an electronic load to the output for output current.

## Setting the Output Voltage of AP63357Q

- 1) Setting the output voltage:

The AP63357Q features external programmable output voltage by using a resistor divider network R5 and R6 as shown in the typical application circuit. The output voltage is calculated as below,

$$V_{OUT} = 0.8 \times \left( \frac{R_5 + R_6}{R_6} \right)$$

First, select a value for R6 according to the value recommended in the table 1. Then, R5 is determined. The output voltage is given by Table 1 for reference. For accurate output voltage, 1% tolerance is required.

**Table 1. Resistor selection for output voltage setting**

Vo	R5	R6	C5(External/Internal Compensation)
1.0V	7.45K	30K	NC
3.3V	93.5KΩ	30 KΩ	33pF/33pF
5.0V	157 KΩ	30 KΩ	NC/47pF
12V	420 KΩ	30 KΩ	NC

## EXTERNAL COMPONENT SELECTION:

- 1) Input & output Capacitors (Cin, Cout):
  - (1) For lower output ripple, low ESR is required.
  - (2) Low leakage current needed, X5R/X7R ceramic recommend, multiple capacitor parallel connection.
  - (3) The Cin and Cout capacitances are greater than 10μF and 44μF respective. When output voltage is set to 1.0V, 66μF Cout is recommended.
- 2) Bootstrap Voltage Regulator:
  - (1) An external 0.1μF ceramic capacitor is required as bootstrap capacitor between BST and SW pin to work as high side power MOSFET gate driver.
- 3) Compensation Capacitors and Resistors:
  - (1) For internal compensation: Connect Comp Pin to GND directly;
  - (2) For external compensation: A resistor and a capacitor in series are connected from Comp Pin to GND, the value of resistor and capacitor is recommended refer to below table.

**Table 2. Recommended Capacitors and Resistors**

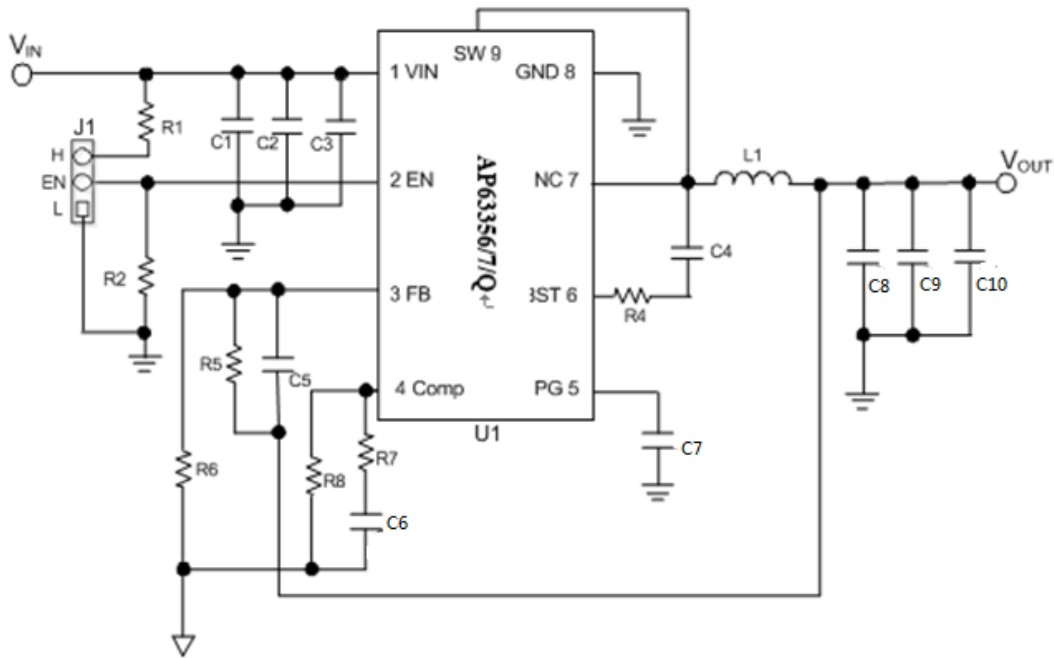
Output capacitor(μF)	Vo=3.3V		Vo=5.0V		Vo=1.0V/12V	
	R7(KΩ)	C6(nF)	R7(KΩ)	C6(nF)	R7(Ω)	C6(nF)
44	25	3.3	24	3.3	Internal compensation Recommended	
66	25	3.3	36	3.3	Internal compensation Recommended	

- 4) Inductor (L):
- (1) Low DCR for good efficiency
  - (2) Inductance saturate current must higher than the output current
  - (3) The recommended inductance is shown in the table 3 below.

**Table 3. Recommended Inductors**

Output Voltage	1.0V	3.3 V	5.0 V	12 V
Co=44µF		4.7µH	6.8µH	
Co=66µF	2.2µH	6.8µH	6.8µH	10µH
Würth PART		744 393 460 47	744 393 460 68	
	744 393 440 22	744 393 460 68	744 393 460 68	744 393 461 00

**EVALUATION BOARD SCHEMATIC**



**Figure 3. Typical Application Circuit**

**PCB TOP LAYOUT**

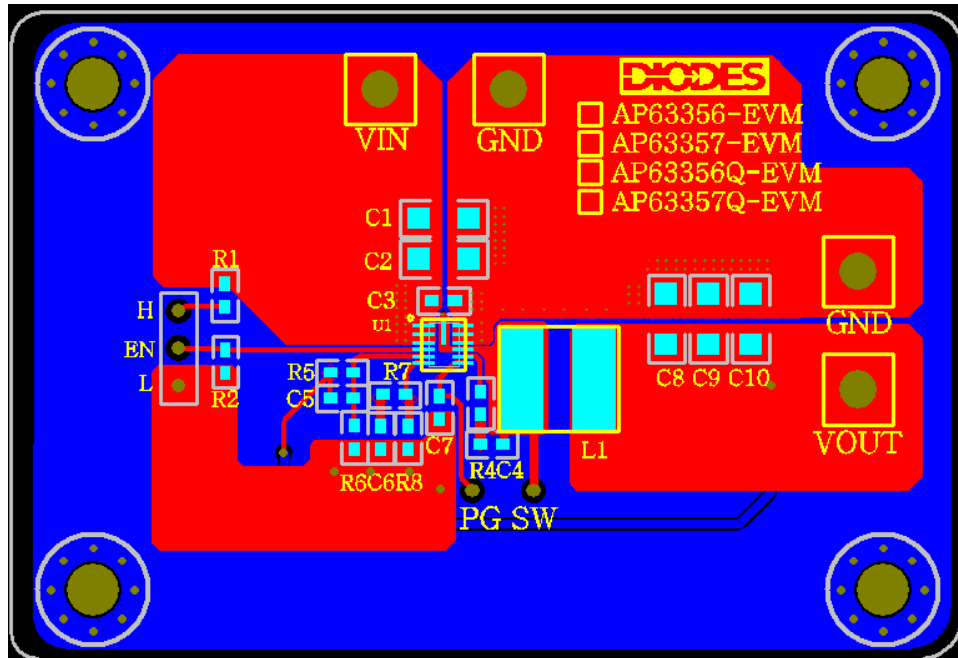


Figure 4. AP63357QZV-EVM – Top Layer

**PCB BOTTOM LAYOUT**

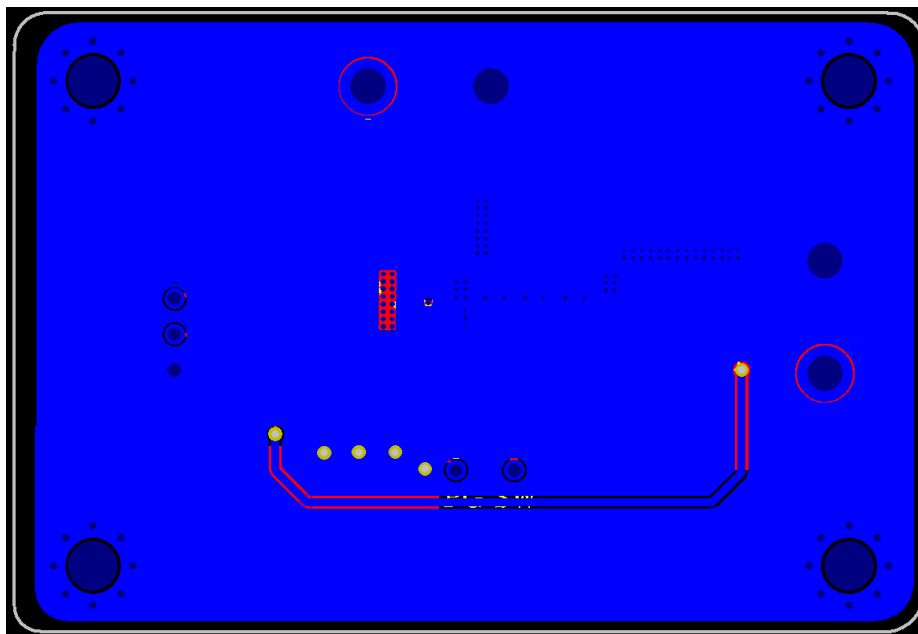


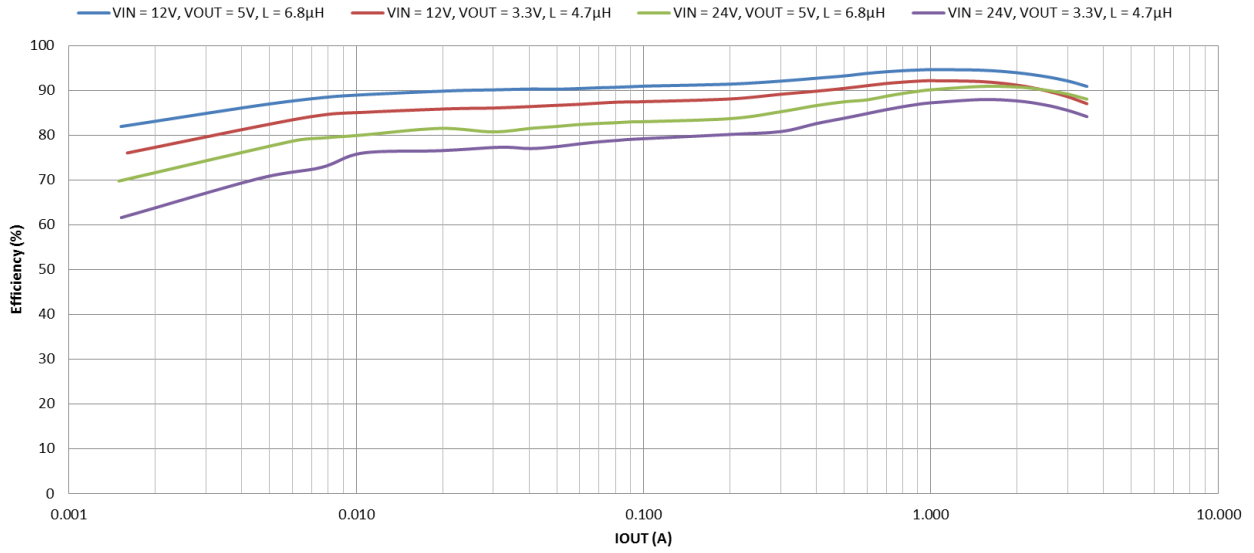
Figure 5. AP63357QZV-EVM – Bottom Layer

**BILL OF MATERIALS for AP63357QZV-EVM (VOUT=5V)**

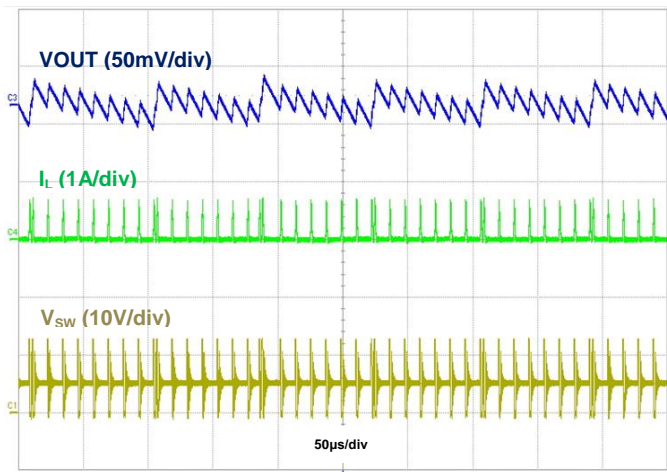
Item	Value	Type	Rating	Description
C2	10 $\mu$ F	X7R, Ceramic/1206	35V	TDK CGA5L1X7R1V106K160AC
C3	0.1 $\mu$ F	X8R, Ceramic/0603	50V	TDK CGA3E3X8R1H104K080AB
C4	0.1 $\mu$ F	X8R, Ceramic/0603	50V	TDK CGA3E3X8R1H104K080AB
C6	3.3nF	X7R, Ceramic/0603	50V	TDK CGA3E2X7R1H332K080AA
C8, C9, C10	22 $\mu$ F	X7R, Ceramic/1206	10V	TDK CGA5L1X7S1A226M160AC
L1	6.8 $\mu$ H	6060	6.5A	Würth PART 744 393 460 68
R1	100K	0603	1%	Enable RES
R4	0	0603	1%	Bootstrap RES
R5	157K	0603	1%	Voltage set RES*
R6	30K	0603	1%	
R7	36K	0603	1%	
U1		AP63357Q		QFN



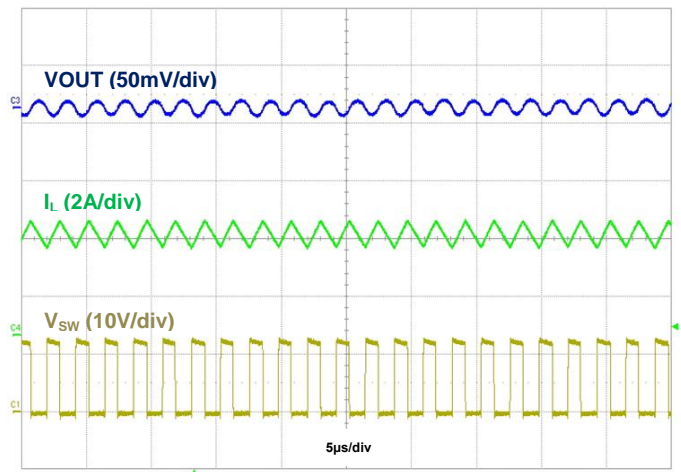
**TYPICAL PERFORMANCE CHARACTERISTICS**



**Figure 6. Efficiency vs. Output Current for AP63357Q**



**Figure 7. AP63357Q Output Voltage Ripple, VIN = 12V, VOUT = 5V, IOUT = 50mA**



**Figure 8. AP63357Q Output Voltage Ripple, VIN = 12V, VOUT = 5V, IOUT = 3.5A**

**IMPORTANT NOTICE**

1. DIODES INCORPORATED (Diodes) AND ITS SUBSIDIARIES MAKE NO WARRANTY OF ANY KIND, EXPRESS OR IMPLIED, WITH REGARDS TO ANY INFORMATION CONTAINED IN THIS DOCUMENT, INCLUDING, BUT NOT LIMITED TO, THE IMPLIED WARRANTIES OF MERCHANTABILITY, FITNESS FOR A PARTICULAR PURPOSE OR NON-INFRINGEMENT OF THIRD PARTY INTELLECTUAL PROPERTY RIGHTS (AND THEIR EQUIVALENTS UNDER THE LAWS OF ANY JURISDICTION).
2. The Information contained herein is for informational purpose only and is provided only to illustrate the operation of Diodes' products described herein and application examples. Diodes does not assume any liability arising out of the application or use of this document or any product described herein. This document is intended for skilled and technically trained engineering customers and users who design with Diodes' products. Diodes' products may be used to facilitate safety-related applications; however, in all instances customers and users are responsible for (a) selecting the appropriate Diodes products for their applications, (b) evaluating the suitability of Diodes' products for their intended applications, (c) ensuring their applications, which incorporate Diodes' products, comply the applicable legal and regulatory requirements as well as safety and functional-safety related standards, and (d) ensuring they design with appropriate safeguards (including testing, validation, quality control techniques, redundancy, malfunction prevention, and appropriate treatment for aging degradation) to minimize the risks associated with their applications.
3. Diodes assumes no liability for any application-related information, support, assistance or feedback that may be provided by Diodes from time to time. Any customer or user of this document or products described herein will assume all risks and liabilities associated with such use, and will hold Diodes and all companies whose products are represented herein or on Diodes' websites, harmless against all damages and liabilities.
4. Products described herein may be covered by one or more United States, international or foreign patents and pending patent applications. Product names and markings noted herein may also be covered by one or more United States, international or foreign trademarks and trademark applications. Diodes does not convey any license under any of its intellectual property rights or the rights of any third parties (including third parties whose products and services may be described in this document or on Diodes' website) under this document.
5. Diodes' products are provided subject to Diodes' Standard Terms and Conditions of Sale (<https://www.diodes.com/about/company/terms-and-conditions/terms-and-conditions-of-sales/>) or other applicable terms. This document does not alter or expand the applicable warranties provided by Diodes. Diodes does not warrant or accept any liability whatsoever in respect of any products purchased through unauthorized sales channel.
6. Diodes' products and technology may not be used for or incorporated into any products or systems whose manufacture, use or sale is prohibited under any applicable laws and regulations. Should customers or users use Diodes' products in contravention of any applicable laws or regulations, or for any unintended or unauthorized application, customers and users will (a) be solely responsible for any damages, losses or penalties arising in connection therewith or as a result thereof, and (b) indemnify and hold Diodes and its representatives and agents harmless against any and all claims, damages, expenses, and attorney fees arising out of, directly or indirectly, any claim relating to any noncompliance with the applicable laws and regulations, as well as any unintended or unauthorized application.
7. While efforts have been made to ensure the information contained in this document is accurate, complete and current, it may contain technical inaccuracies, omissions and typographical errors. Diodes does not warrant that information contained in this document is error-free and Diodes is under no obligation to update or otherwise correct this information. Notwithstanding the foregoing, Diodes reserves the right to make modifications, enhancements, improvements, corrections or other changes without further notice to this document and any product described herein. This document is written in English but may be translated into multiple languages for reference. Only the English version of this document is the final and determinative format released by Diodes.
8. Any unauthorized copying, modification, distribution, transmission, display or other use of this document (or any portion hereof) is prohibited. Diodes assumes no responsibility for any losses incurred by the customers or users or any third parties arising from any such unauthorized use.
9. This Notice may be periodically updated with the most recent version available at <https://www.diodes.com/about/company/terms-and-conditions/important-notice>

The Diodes logo is a registered trademark of Diodes Incorporated in the United States and other countries.

All other trademarks are the property of their respective owners.

© 2023 Diodes Incorporated. All Rights Reserved.

[www.diodes.com](http://www.diodes.com)