

ZXCT1086EV1 USER GUIDE

Performance

- Current Monitor with wide supply range: 2.7V to 60V
- Independent chip supply and supply-to-be-monitored
- Low quiescent current (25 μ A typ)
- Fixed gain of 50
- Accuracy 2%
- Ambient temperature range -40 to 105 $^{\circ}$ C

Introduction

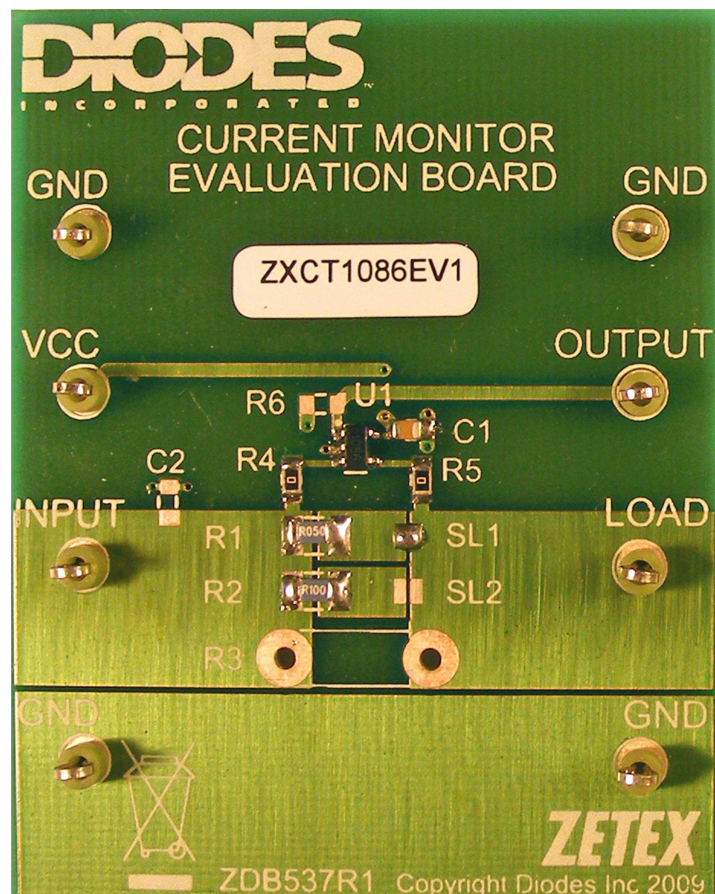
This evaluation circuit simply demonstrates the ZXCT1086 60V High-Side Current Monitor with a fixed gain of 50. The circuit is suitable for a wide range of power systems including automotive and industrial applications as well as portable and battery management systems.

The sensitivity of the PCB can be selected using solder bridge links to either 2.5V or 5.0V per Ampere of load current.

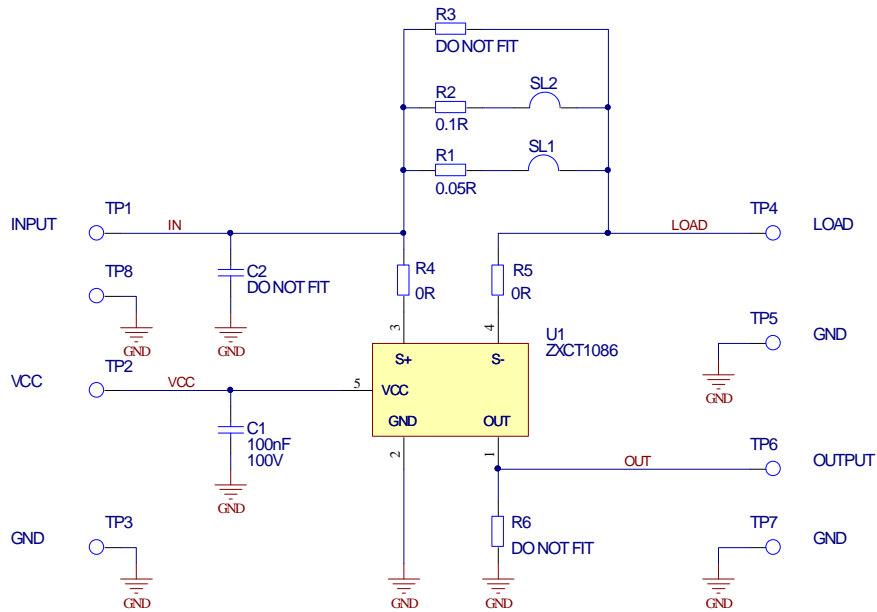
The construction is a double-sided FR4 printed circuit board, 51 x 64 x 1.6 mm with 2oz/sq ft copper (70 μ m).

Ordering Information

Order Number
ZXCT1086EV1



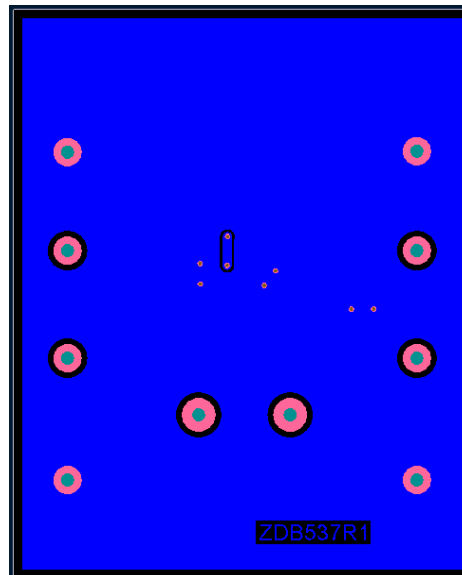
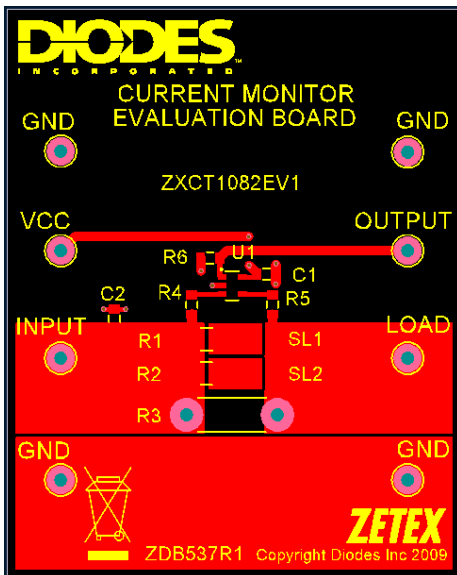
Schematic



PCB Layout

Top

Bottom



Parts List

Count	Designator	Description	Package	Manufacturer	Part Number
1	C1	Capacitor SMD, 100nF 100V X7R	0805	AVX	08051C104KAZ2A
0	C2	NOT FITTED			
1	R1	Resistor, SMD, 0R05 1% 500mW 100ppm/ °C	1206	Welwyn	LR1206-R05FI
1	R2	Resistor, SMD, 0R1 1% 500mW 100ppm/ °C	1206	Welwyn	LR1206-R10FI
1	R3	NOT FITTED			
2	R4, R5	Resistor, SMD, 0R 125mW	0805	various	
1	R6	NOT FITTED			
1	U1	ZXCT1086	SOT23-5	Diodes	ZXCT1086E5TA

I/O and Test points

Count	Designator	Description	Function	Manufacturer	Part Number
1	TP1	Loop Terminal, 2.15mm, green	Input	Hughes	100-108
1	TP2	Loop Terminal, 2.15mm, green	Vcc	Hughes	100-108
1	TP3	Loop Terminal, 2.15mm, green	Ground	Hughes	100-108
1	TP4	Loop Terminal, 2.15mm, green	Load	Hughes	100-108
1	TP5	Loop Terminal, 2.15mm, green	Ground	Hughes	100-108
1	TP6	Loop Terminal, 2.15mm, green	Output	Hughes	100-108
1	TP7	Loop Terminal, 2.15mm, green	Ground	Hughes	100-108
1	TP8	Loop Terminal, 2.15mm, green	Ground	Hughes	100-108

Recommended Operating Conditions

Symbol	Parameter	Min	Max	Units
V _{in}	Input Voltage	2.7	60	V
V _{cc}	Supply Voltage	2.7	60	V
V _{out}	Output Voltage	0	Load voltage -1V	V
T _A	Operating Ambient Temperature	-40	105	°C

Detailed Description

The voltage gain from the sense inputs is set to 50 internally to the chip. Two current sense resistors are provided, which can be selected by solder bridge links. In the initial factory setting, SL1 is connected and SL2 is not, so the sense resistor value is $R1=50$ milliohms, giving a sensitivity of 2.5V at the Output per Ampere of current in the sense resistor. The second sense resistor provided is 100 milliohms, providing a sensitivity of 5.0V per Ampere. Through-holes are provided for the user to fit an additional resistor R3 if desired.

If SL1 only is bridged, the sensitivity of the PCB assembly to load current is set by R1 which is a 1% tolerance thick film resistor of 50 milliohms.

The sense voltage is

$$V_{\text{SENSE}} = V_{\text{S+}} - V_{\text{S-}} = I_{\text{LOAD}} \cdot R1, \text{ i.e. } 50\text{mV per Amp}$$

The voltage gain is

$$V_{\text{OUT}}/V_{\text{SENSE}} = 50$$

The sensitivity to current is

$$V_{\text{OUT}}/I_{\text{LOAD}} = (V_{\text{OUT}}/V_{\text{SENSE}}) \cdot (V_{\text{SENSE}}/I_{\text{LOAD}}) = 50 \cdot R1 = 2.5 \text{ V per Amp.}$$

If SL2 is bridged instead of SL1, the sense resistance will be 0.1R, so the sensitivity will then be 5.0 V per Amp.

A Note on Tolerance

The output voltage tolerance as measured in the Quick Start Guide, below, is approximately +3%, -1%. This consists of the following contributions:

1. The reading is about 2% higher than the nominal value of 2.5V due to the PCB copper resistance, including the solder link, when using the 50 milliohm sense resistor, R1.
2. The tolerance of the sense resistor R1 is $\pm 1\%$.
3. The ZXCT1086 tolerance is $\pm 1\%$.
4. The Fluke DMM has an input resistance of about 11Mohm, while the ZXCT1086EV1 output resistance is 125kohm. This means that the reading will be about 1.1% lower than a perfect voltmeter.

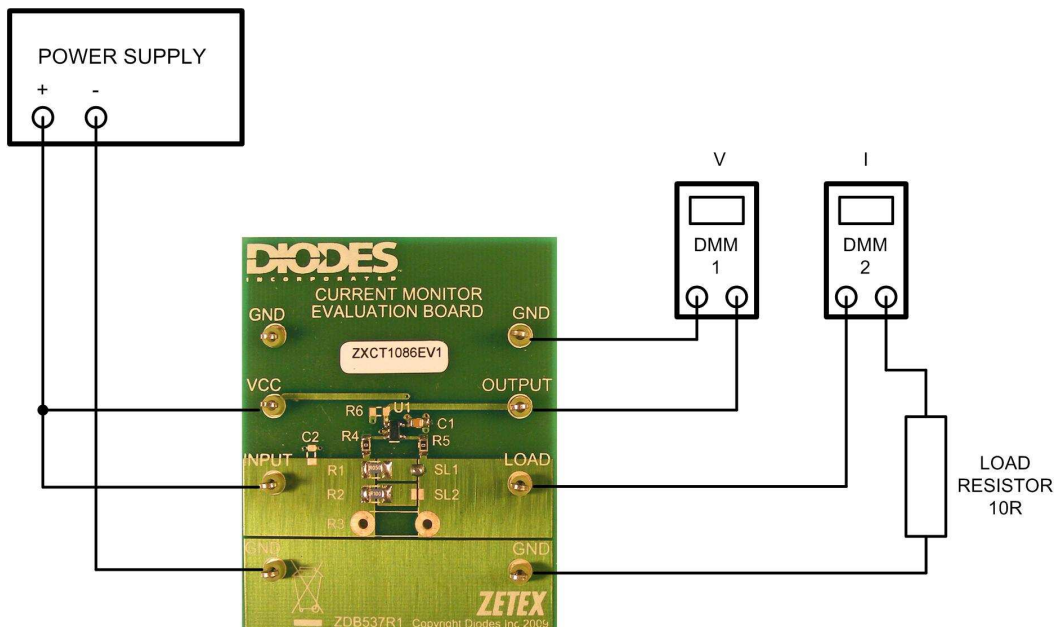
Quick Start Guide

Suitable test equipment is given in the table below.

1. Set the power supply to 10.0V but do not switch on. Set the current limit to 1.5A.
2. Check that on the ZXCT1086EV1 board, solder link SL1 is bridged and SL2 is open.
3. Connect up the ZXCT1086EV1 board to the equipment as in the diagram below. Set DMM1 to measure voltage and DMM2 to measure current.
4. Switch on the power supply. DMM2 should now read about 1.0A. Adjust

the supply voltage slightly to obtain exactly $1.000A \pm 0.005A$.

5. DMM1 now reads between 2.47V and 2.58V. [This tolerance band includes the effects listed above.]
6. You can examine operation at 60V easily if the electronic load is available. Set the load to 1.00A and increase the power supply voltage to 60V.



Suitable Test Equipment

Count	Description	Manufacturer	Part Number
1	Adjustable Power Supply, 60V 2A	Thurlby Thandar	CPX400A
2	Digital Multimeter	Fluke	179
1	Load resistor, 10 ohms \pm 5%, 10W, or electronic load, 60V 2A		

INTENTIONALLY BLANK

INTENTIONALLY BLANK

IMPORTANT NOTICE

DIODES INCORPORATED MAKES NO WARRANTY OF ANY KIND, EXPRESS OR IMPLIED, WITH REGARD TO THIS DOCUMENT, INCLUDING, BUT NOT LIMITED TO, THE IMPLIED WARRANTIES OF MERCHANTABILITY AND FITNESS FOR A PARTICULAR PURPOSE (AND THEIR EQUIVALENTS UNDER THE LAWS OF ANY JURISDICTION).

Diodes Incorporated and its subsidiaries reserve the right to make modifications, enhancements, improvements, corrections or other changes without further notice to this document and any product described herein. Diodes Incorporated does not assume any liability arising out of the application or use of this document or any product described herein; neither does Diodes Incorporated convey any license under its patent or trademark rights, nor the rights of others. Any Customer or user of this document or products described herein in such applications shall assume all risks of such use and will agree to hold Diodes Incorporated and all the companies whose products are represented on Diodes Incorporated website, harmless against all damages.

Diodes Incorporated does not warrant or accept any liability whatsoever in respect of any products purchased through unauthorized sales channels. Should Customers purchase or use Diodes Incorporated products for any unintended or unauthorized application, Customers shall indemnify and hold Diodes Incorporated and its representatives harmless against all claims, damages, expenses, and attorney fees arising out of, directly or indirectly, any claim of personal injury or death associated with such unintended or unauthorized application.

Products described herein may be covered by one or more United States, international or foreign patents pending. Product names and markings noted herein may also be covered by one or more United States, international or foreign trademarks.

LIFE SUPPORT

Diodes Incorporated products are specifically not authorized for use as critical components in life support devices or systems without the express written approval of the Chief Executive Officer of Diodes Incorporated. As used herein:

A. Life support devices or systems are devices or systems which:

1. are intended to implant into the body, or
2. support or sustain life and whose failure to perform when properly used in accordance with instructions for use provided in the labeling can be reasonably expected to result in significant injury to the user.

B. A critical component is any component in a life support device or system whose failure to perform can be reasonably be expected to cause the failure of the life support device or to affect its safety or effectiveness.

Customers represent that they have all necessary expertise in the safety and regulatory ramifications of their life support devices or systems, and acknowledge and agree that they are solely responsible for all legal, regulatory and safety-related requirements concerning their products and any use of Diodes Incorporated products in such safety-critical, life support devices or systems, notwithstanding any devices- or systems-related information or support that may be provided by Diodes Incorporated. Further, Customers must fully indemnify Diodes Incorporated and its representatives against any damages arising out of the use of Diodes Incorporated products in such safety-critical, life support devices or systems.

Copyright © 2009, Diodes Incorporated

www.diodes.com

Sales offices**The Americas**

3050 E. Hillcrest Drive
Westlake Village,
CA 91362-3154
Tel: (+1) 805 446 4800
Fax: (+1) 805 446 4850

Europe

Kustermannpark
Balanstraße 59,
D-81541 München
Germany
Tel: (+49) 894 549 490
Fax: (+49) 894 549 4949

Taiwan

7F, No. 50,
Min Chuan Road
Hsin-Tien
Taipei, Taiwan
Tel: (+886) 289 146 000
Fax: (+886) 289 146 639

Shanghai

Rm. 606, No.1158
Changning Road
Shanghai, China
Tel: (+86) 215 241 4882
Fax (+86) 215 241 4891

Shenzhen

Room A1103-04,
ANLIAN Plaza, #4018
Jintian Road
Futian CBD,
Shenzhen, China
Tel: (+86) 755 882 849 88
Fax: (+86) 755 882 849 99

Korea

6 Floor, Changhwa B/D,
1005-5 Yeongtong-dong,
Yeongtong-gu, Suwon-si,
Gyeonggi-do, Korea 443-813
Tel: (+82) 312 731 884
Fax: (+82) 312 731 885